



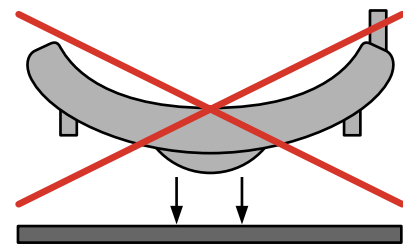
Philips Domestic Appliances and Personal Care

# Service Manual

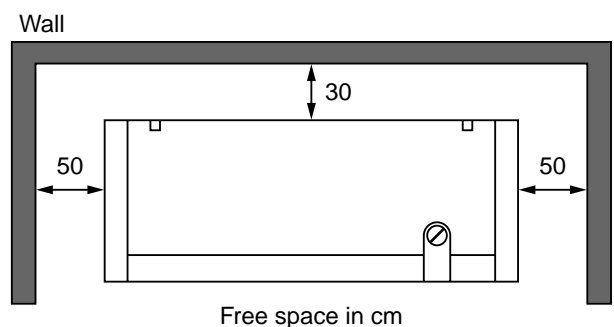
## PRODUCT INFORMATION

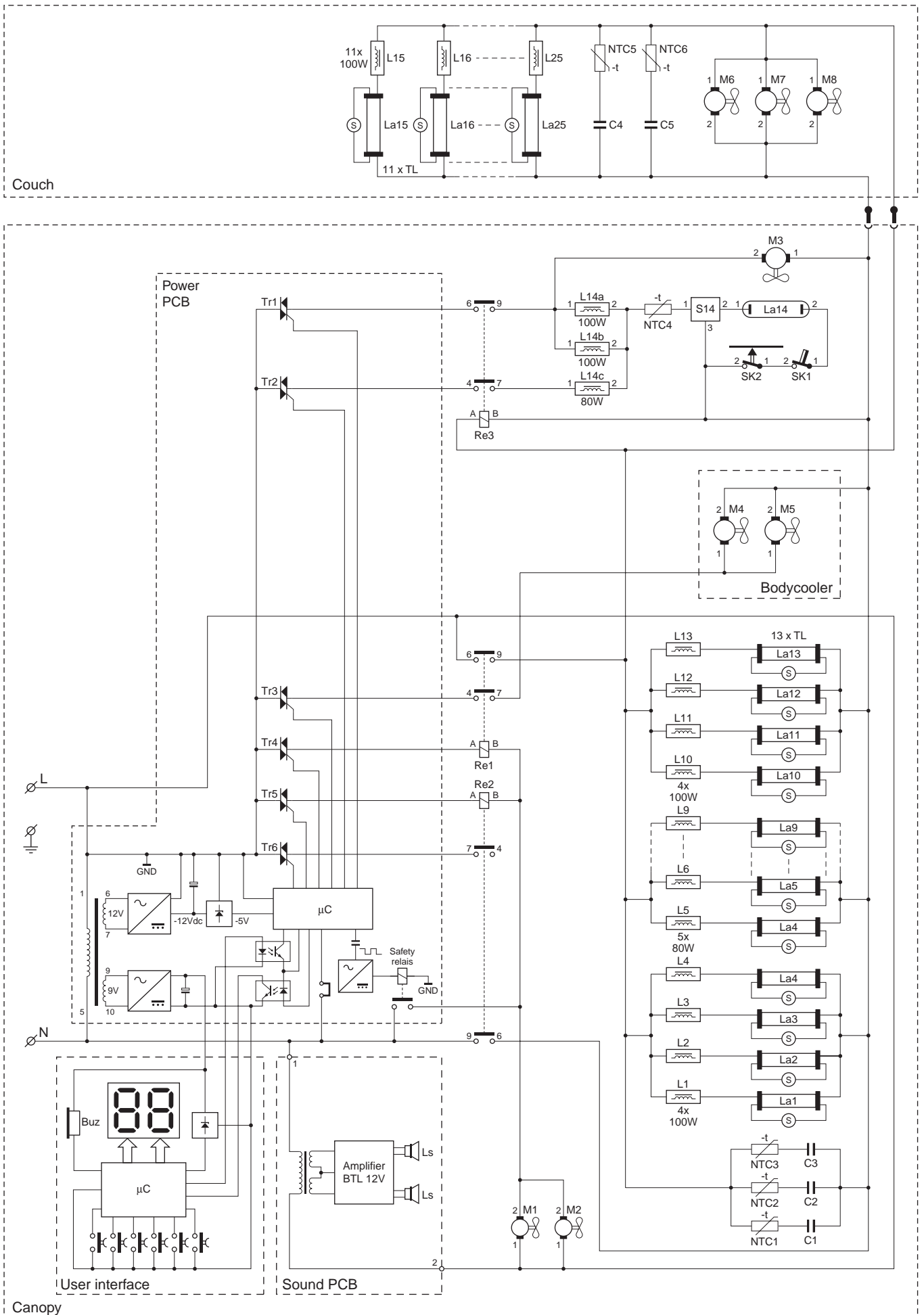
- **MOST REPAIRS HAVE TO BE DONE WITH HELP OF A SECOND PERSON.**
- The acrylic sheets can be cleaned with a moist cloth and some washing-up liquid.  
Avoid the use of alcohol, alcohol based cleaners, petrol acetone or abrasives! These substances can cause irreparable damage to the sheets.
- Always use protecting goggles when looking in the direction of burning lamps.
- Interchange starters, lamps or ballasts to establish whether they are defective. If they are not defective, check the internal wiring, especially that connected to the lamp holders.
- An unusual early blackening of the end of the TL's points to a wiring fault or a defective starter.
- New HPA lamps may show colour differences.  
This is not a defect, but a characteristic phenomenon of lamps of this type.  
The discolorations disappear after a short period of use.
- When exchanging the HPA lamp, make sure you do not touch the new lamp with your bare hands, as finger prints could burn in and reduce the lamp's performance.
- After repair, always check whether the glass pane has been properly mounted.

- If the canopy and/or couch have to be placed on the floor, put them on the floor with the tube lamps facing downwards to avoid internal damage.



- Used-up or broken lamps are chemical waste and must be disposed of in the appropriate manner.





- |                     |  |                      |   |
|---------------------|--|----------------------|---|
| - Operating voltage | : 230 V, 50 Hz   | - Starter canopy     | : 13 x S12 / Cleo sunstarter<br>: 1 x Magnetek ZG 4,5 |
| - Power consumption | : approx. 3150 W                                       | - Starter couch      | : 11 x S12 / Cleo sunstarter                          |
| - Lamp canopy       | : 8 x TL Cleo<br>Performance 100 W-S-R                 | - Timer              | : 30 min. (digital)                                   |
|                     | : 5 x TL Cleo<br>Performance 80 W-S-R                  | - Safety             | : ☐, Cenelec, UV-type III                             |
|                     | : 1 x HPA HP400SH                                      | - Mains cord         | : 3 m, 2 x 1.5 mm <sup>2</sup> , class II plug        |
| - Lamp couch        | : 11 x TL Cleo<br>Performance 100 W-S-R                | - Tanning field      | : 195 x 80 cm   |
| - Ballast canopy    | : 8 x TL + 1 x HPA - 100W<br>: 5 x TL + 2 x HPA - 80 W | - Dimensions         | : 214 x 100 x 92 cm (L x W x H)                       |
| - Ballast couch     | : 11 x 100 W   | - Weight canopy      | : approx. 65 kg                                       |
|                     |  | - Weight couch       | : approx. 64 kg                                       |
|                     |  | - Protecting goggles | : 2 x HB072   |

**DISASSEMBLY & REPAIR INSTRUCTION**

- Remove the mains plug from the wall socket.

**Replacement of lamps/starters**

- Remove the end cover at the head of the canopy by undoing the screws.
- First pull the acrylic sheet approx. 10 cm out of the appliance. Then undo the snap strip on the rear side of the canopy. Do the same with the snap strip on the front side.
- Remove the acrylic sheet.
- Now the tube lamps and starters can be removed.
- The lamps and starters of the couch can in principle be replaced in the same way.

**Check on internal wiring**

- Remove the push rivets in the top cover with an appropriate knife or screwdriver.
- Remove the end cover at the head of the canopy by undoing the screws.
- Pull the top cover approx. 10 cm out of the appliance.
- Pull the top cover on both sides out of the groove of the side panel and place it on a soft surface.
- Now the ballasts, lamp holders and internal wiring can be checked.
- The internal wiring of the couch can be checked in the same way.
- However, the canopy must be removed first with help of a second person.
- Do not forget to pull the connecting cable out of the socket.

**Replacement of gas spring**

- Remove the acrylic sheet as described under 'replacement of lamps/starters'.
- Remove the top cover as described under 'check on internal wiring'.
- Loosen the connecting wires of the body cooler and remove the end cover by undoing the screws.
- Fold the canopy up and have a second person lock it in this position.
- Now the gas springs can be removed.

**Replacement of timer**

- Remove the end cover on the side where the timer is located.
- Pull the top cover on this side out of the groove of the side panel.
- Now the timer panel with timer can be taken out.

## TANNING MEASUREMENT

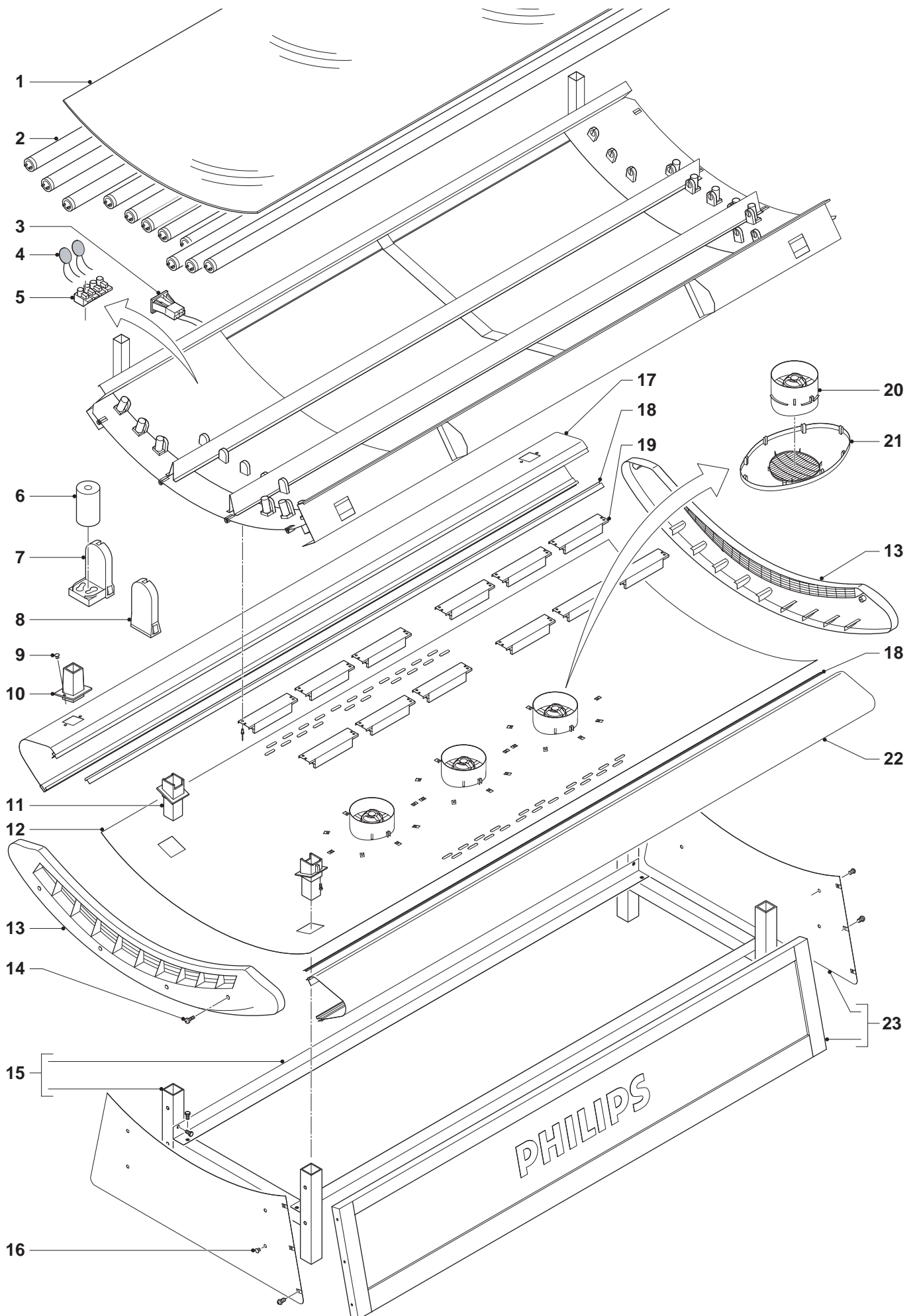
- The measuring data indicated below were established with help of an UVX 36 meter and may only be checked with this equipment, since the values measured are relative values.
- The measurements must be taken after approx. 5 minutes in the centre of the tanning field and at the distance indicated.
- The following aspects must be checked or the following preliminary measurements must be taken:
  - Mains voltage: 230 V, 50 Hz
  - Room temperature 22 - 28 °C
  - Check the fans for failure-free operation as optimal tanning is only guaranteed at the correct operating temperatures
  - Clean the lamps, the acrylic sheets and the glass pane.
- With regard to the minimum values indicated below, you should bear in mind that this is not an absolute value at which the lamps must be replaced.
- Depending on the skin type, the tanning session may also be extended so that the lamps can be used a little longer.

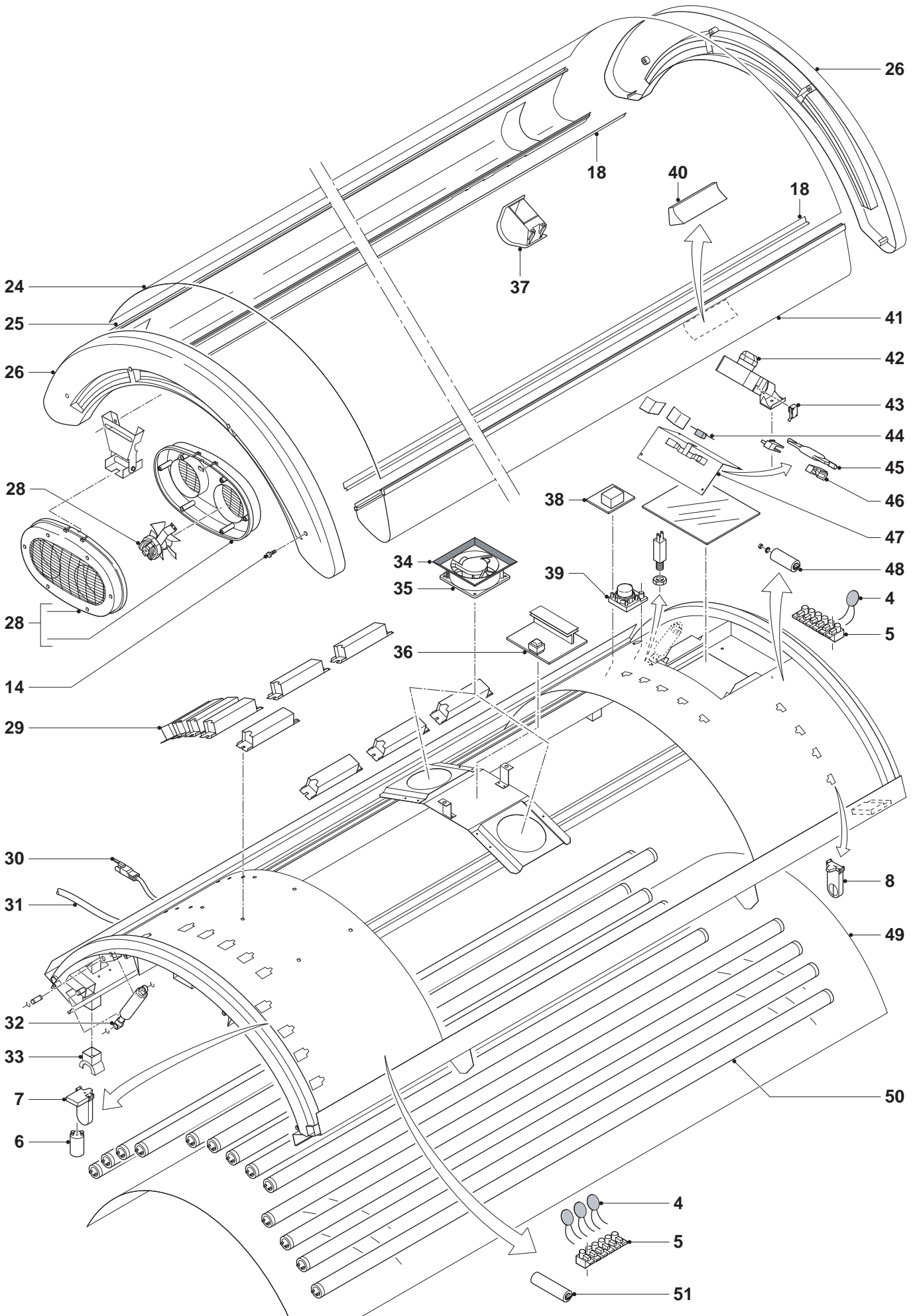
UVX 36 meter	distance in cm	output in mW/cm <sup>2</sup> NEW (approx.)	Output in mW/cm <sup>2</sup> MIN (approx.)
Couch	2.5 cm from acrylic sheet couch	9.5	6.6
Canopy	30 cm from acrylic sheet couch	10.0	7.0
Canopy beneath the facial tanner	2.5 cm from acrylic sheet couch, and on 14 cm from edge of the end cover	5.2	3.6

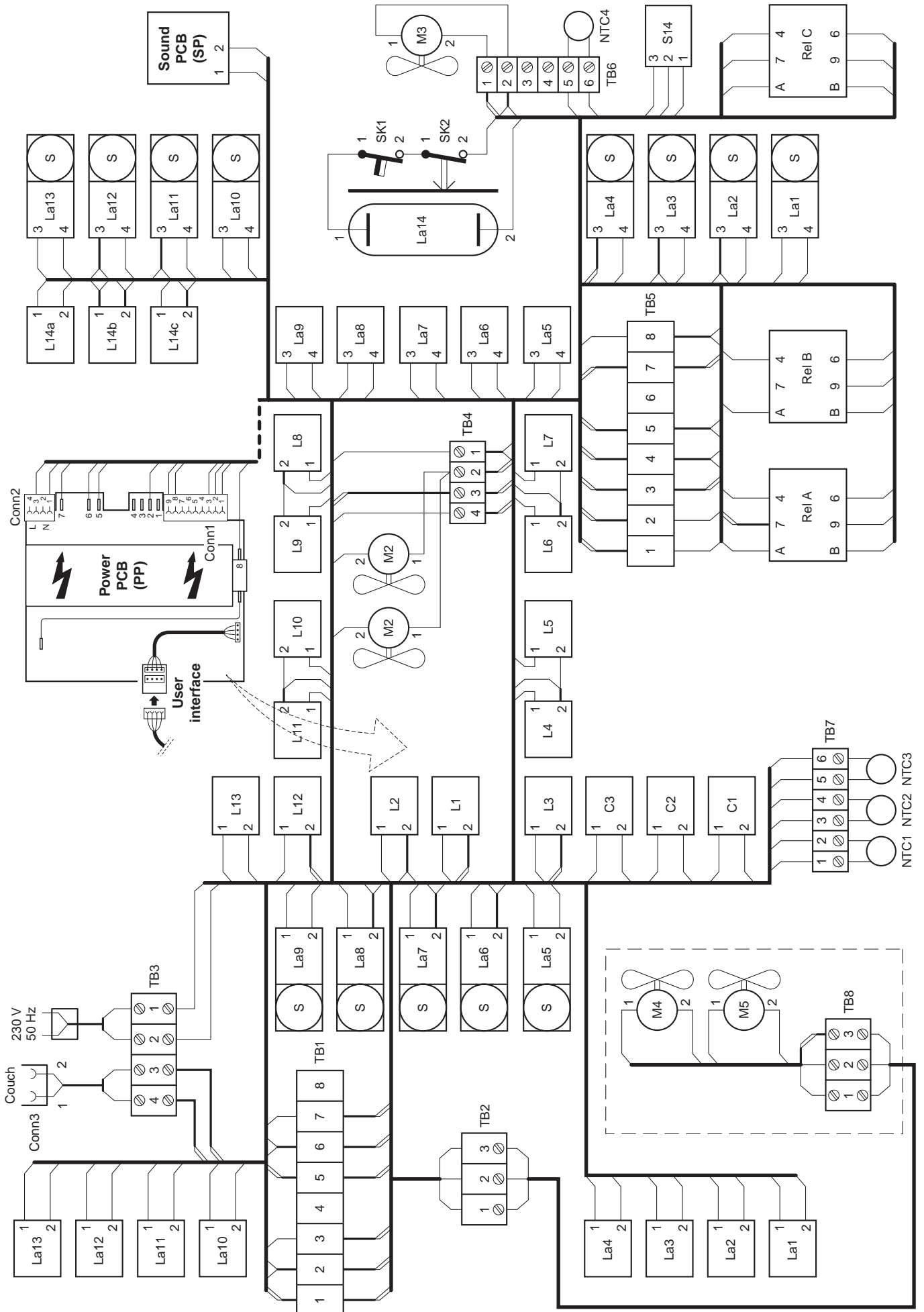
**Note:** Switch SK1 of facial tanner in position 'HIGH'.

Item	Service code	Description
1	9965 000 19730	Acrylic sheet couch
2	9280 057 21920	TL Cleo Performance 100 W-S-R
3	4822 265 10944	2-p socket
4	4222 062 94580	NTC resistor 22 W
5	4222 062 94570	Connector 8S
6	4822 219 80258	Starter S12/Cleo sunstarter
7	4822 255 10374	Lamp/starter holder
8	4822 255 10375	Lamp holder
9	4822 532 12791	Push rivet
10	9965 000 40915	Insulating cover
11	9965 000 19735	Insulating prop
12	9965 000 19736	Bottom cover couch
13	9965 000 19737	End cover couch
14	4822 502 14539	S.t. screw 4.8 x 19
15	9965 000 19753	Set of legs
16	9965 000 19765	Rivet 6 mm
17	9965 000 40916	Side cover back couch
18	9965 000 40917	Click strip
19	4822 146 10791	Ballast 100 W
20	9965 000 11520	Fan complete
21	9965 000 11521	Fan cover
22	9965 000 40918	Side cover front couch
23	9965 000 19767	Set of decorative covers
24	9965 000 19743	Cover canopy
25	9965 000 40919	Side cover back canopy

Item	Service code	Description
26	9965 000 19744	End cover canopy
27	9965 000 19768	Fan complete
28	9965 000 19769	Fan housing
29	4822 146 10792	Ballast 80 W
	4822 146 10791	Ballast 100 W
30	4822 320 11909	Connecting cable
31	4822 321 11313	Mains flex EU
32	9965 000 19746	Gas spring 1500 N
33	9965 000 40920	Insulating cover
34	9965 000 01935	Rubber sealing
35	4822 361 10966	Fan
36	9965 000 40985	Soft start power PCB
37	9965 000 40921	Insulating cover
38	9965 000 26732	Amplifier PCB assy
39	9965 000 26734	Speaker assy
40	9965 000 40922	User interface
41	9965 000 40923	Side cover front canopy
42	9965 000 19773	Fan HPA complete
43	4822 271 30619	Micro switch
44	4822 252 11301	Aut. cutout 75 °C
45	9965 000 16185	HP400SH UVA lamp
46	4822 325 20102	Lamp holder HPA
47	9965 000 19774	Reflector unit
48	4822 214 12272	Starter HPA
49	9965 000 20802	Acrylic sheet canopy
50	9280 047 21920	TL Cleo Performance 80 W-S-R
	9280 057 21920	TL Cleo Performance 100 W-S-R
51	4222 062 94600	Capacitor 50 µF/250 V
	9965 000 40924	Mounting set









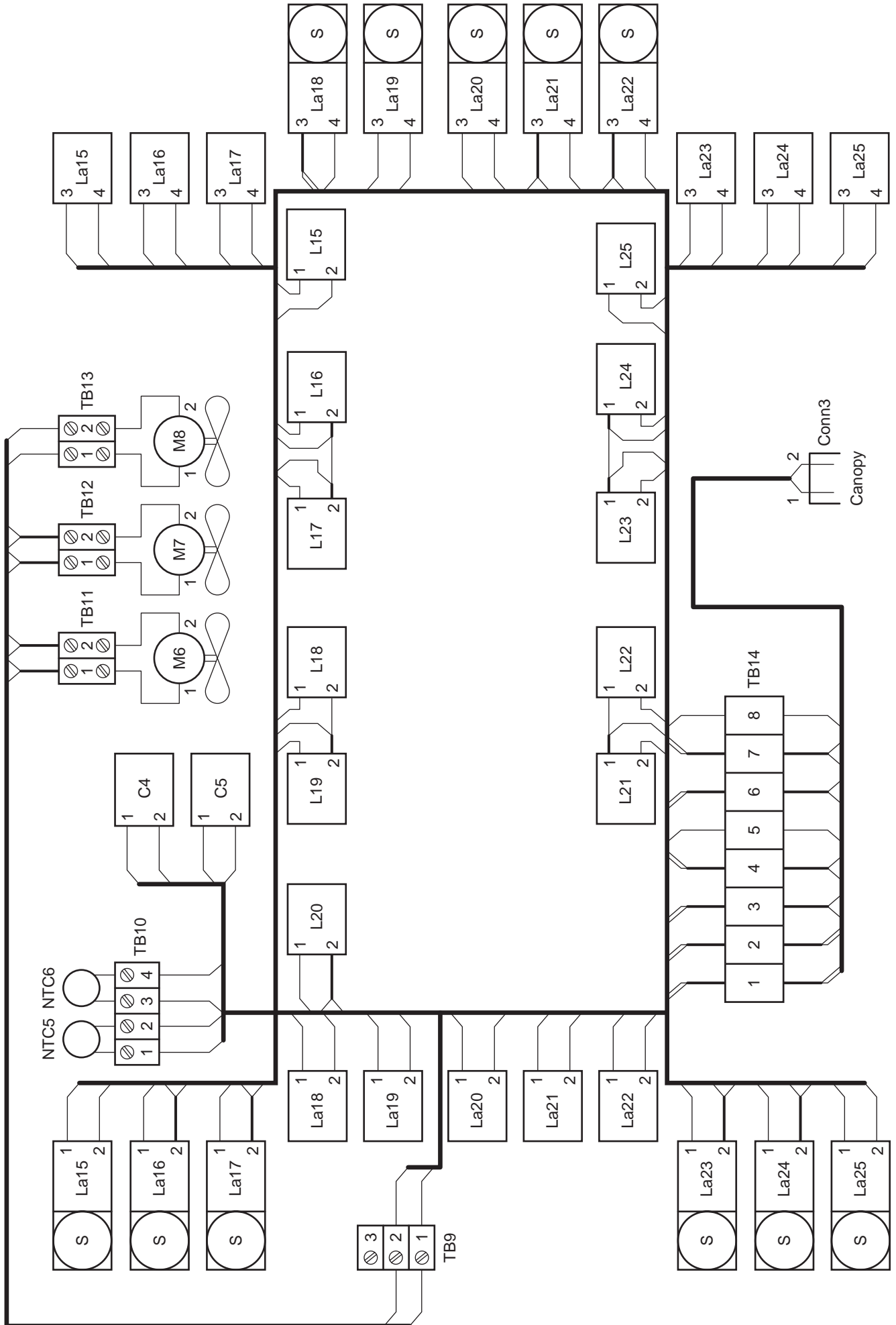
From	To
TB1.1	TB1.2
TB1.1	TB3.3
TB1.1	C2.1
TB1.1	C3.1
TB1.2	TB1.1
TB1.2	TB1.3
TB1.2	La7.2
TB1.2	C1.1
TB1.3	TB1.2
TB1.3	TB2.1
TB1.3	La8.2
TB1.5	TB1.6
TB1.5	TB3.4
TB1.5	TB7.4
TB1.5	TB7.6
TB1.6	TB1.5
TB1.6	TB1.7
TB1.6	TB7.2
TB1.6	L12.2
TB1.7	TB1.6
TB1.7	L1.2
TB1.7	L3.2
TB2.1	TB1.3
TB2.1	TB8.3
TB2.2	TB8.2
TB2.2	Re2.7
TB2.3	TB8.1
TB2.3	Re1.7
TB3.1	TB5.1
TB3.2	TB5.2
TB3.3	TB1.1
TB3.3	TB5.5
TB3.3	Conn3.2
TB3.4	TB1.5
TB3.4	TB5.8
TB3.4	Conn3.1
TB4.1	TB4.2
TB4.1	TB5.2
TB4.1	Conn2.3
TB4.2	TB4.1
TB4.2	SP2
TB4.2	M1.1
TB4.2	M2.1
TB4.3	TB5.1
TB4.3	Conn2.1
TB4.3	PP8
TB4.3	SP1
TB4.4	Re1.B
TB4.4	Re2.B
TB4.4	PP5

From	To
TB5.1	TB3.1
TB5.1	TB4.3
TB5.1	Re2.9
TB5.2	TB3.2
TB5.2	TB4.1
TB5.2	Re1.6
TB5.3	TB5.4
TB5.3	TB6.2
TB5.3	Re3.B
TB5.3	S14.3
TB5.4	TB5.3
TB5.4	TB5.5
TB5.4	La3.3
TB5.4	La4.3
TB5.5	TB3.3
TB5.5	TB5.4
TB5.5	Re2.6
TB5.5	La11.3
TB5.7	TB5.8
TB5.7	Re3.A
TB5.7	L6.2
TB5.7	L8.2
TB5.8	TB3.4
TB5.8	TB5.7
TB5.8	Re1.9
TB6.1	Re3.9
TB6.1	L14b.1
TB6.1	M3.2
TB6.2	TB5.3
TB6.2	M3.1
TB6.2	SK2.2
TB6.5	L14c.2
TB6.6	S14.1
TB7.1	C1.2
TB7.2	TB1.6
TB7.3	C2.2
TB7.4	TB1.5
TB7.5	C3.2
TB7.6	TB1.5
TB8.1	TB2.3
TB8.1	M4.1
TB8.2	TB2.2
TB8.2	M5.1
TB8.3	TB2.1
TB8.3	M4.2
TB8.3	M5.2
Conn1.1	Re2.4
Conn1.2	Re1.4
Conn1.3	Re3.4
Conn1.8	Re1.A
Conn1.9	Re2.A
Conn2.1	TB4.3
Conn2.3	TB4.1
Conn3.1	TB3.4
Conn3.2	TB3.3

From	To
Re1.A	Conn1.8
Re1.B	TB4.4
Re1.4	Conn1.2
Re1.6	TB5.2
Re1.7	TB2.3
Re1.9	TB5.8
Re2.A	Conn1.9
Re2.B	TB4.4
Re2.4	Conn1.1
Re2.6	TB5.5
Re2.7	TB2.2
Re2.9	TB5.1
Re3.A	TB5.7
Re3.B	TB5.3
Re3.4	Conn1.3
Re3.6	PP2
Re3.7	L14c.1
Re3.9	TB6.1
PP2	Re3.6
PP5	TB4.4
PP6	M1.2
PP7	M2.2
PP8	TB4.3
SP1	TB4.3
SP2	TB4.2
La1.1	La1.4
La1.2	L1.1
La1.3	La2.3
La1.4	La1.1
La2.1	La2.4
La2.2	L2.1
La2.3	La1.3
La2.3	La3.3
La2.4	La2.1
La3.1	La3.4
La3.2	L3.1
La3.3	TB5.4
La3.3	La2.3
La3.4	La3.1
La4.1	La4.4
La4.2	L4.1
La4.3	TB5.4
La4.3	La10.3
La4.4	La4.1
La5.1	La5.4
La5.2	La6.2
La5.3	L5.1
La5.4	La5.1
La6.1	La6.4
La6.2	La5.2
La6.2	La7.2
La6.3	L6.1
La6.4	La6.1

From	To
La7.1	La7.4
La7.2	TB1.2
La7.2	La6.2
La7.3	L7.1
La7.4	La7.1
La8.1	La8.4
La8.2	TB1.3
La8.2	La9.2
La8.3	L8.1
La8.4	La8.1
La9.1	La9.4
La9.2	La8.2
La9.3	L9.1
La9.4	La9.1
La10.1	La10.4
La10.2	L10.1
La10.3	La4.3
La10.4	La10.1
La11.1	La11.4
La11.2	L11.1
La11.3	TB5.5
La11.3	La12.3
La11.4	La11.1
La12.1	La12.4
La12.2	L12.1
La12.3	La11.3
La12.3	La13.3
La12.4	La12.1
La13.1	La13.4
La13.2	L13.1
La13.3	La12.3
La13.4	La13.1
La14.1	S14.2
La14.2	SK1.1
L1.1	La1.2
L1.2	TB1.7
L1.2	L2.2
L2.1	La2.2
L2.2	L1.2
L2.2	L13.2
L3.1	La3.2
L3.2	TB1.7
L3.2	L4.2
L4.1	La4.2
L4.2	L3.2
L4.2	L5.2
L5.1	La5.3
L5.2	L4.2
L6.1	La6.3
L6.2	TB5.7
L6.2	L7.2
L7.1	La7.3
L7.2	L6.2

From	To
L8.1	La8.3
L8.2	TB5.7
L8.2	L9.2
L9.1	La9.3
L9.2	L8.2
L10.1	La10.2
L10.2	L11.2
L11.1	La11.2
L11.2	L10.2
L11.2	L12.2
L12.1	La12.2
L12.2	TB1.6
L12.2	L11.2
L13.1	La13.2
L13.2	L2.2
L14a.1	L14b.1
L14a.2	L14b.2
L14b.1	TB6.1
L14b.1	L14a.1
L14b.2	L14a.2
L14b.2	L14c.2
L14c.1	Re3.7
L14c.2	L14b.2
L14c.2	TB6.5
M1.1	TB4.2
M1.2	PP6
M2.1	TB4.2
M2.2	PP7
M3.1	TB6.2
M3.2	TB6.1
M4.1	TB8.1
M4.2	TB8.3
M5.1	TB8.2
M5.2	TB8.3
SK1.1	La14.1
SK1.2	SK2.1
SK2.1	SK1.2
SK2.2	TB6.2
C1.1	TB1.2
C1.2	TB7.1
C2.1	TB1.1
C2.2	TB7.3
C3.1	TB1.1
C3.2	TB7.5
S14.1	TB6.6
S14.2	La14.2
S14.3	TB5.3



From	To
TB9.1	TB14.8
TB9.1	TB11.1
TB9.2	TB14.5
TB9.2	TB11.2
TB10.1	TB14.6
TB10.2	C4.1
TB10.3	TB14.6
TB10.4	C5.1
TB11.1	TB9.1
TB11.1	TB12.1
TB11.2	TB9.2
TB11.2	TB12.2
TB12.1	TB11.1
TB12.1	TB13.1
TB12.2	TB11.2
TB12.2	TB13.2
TB13.1	TB12.1
TB13.2	TB12.2
TB14.1	Conn3.2
TB14.1	TB14.3
TB14.1	La17.2
TB14.1	La23.2
TB14.2	TB14.6
TB14.2	Conn3.1
TB14.2	L17.2
TB14.2	L20.2
TB14.3	TB14.1
TB14.3	TB14.4
TB14.3	C4.2
TB14.3	C5.2
TB14.4	TB14.3
TB14.4	TB14.5
TB14.4	La18.3
TB14.4	La22.3
TB14.5	TB9.2
TB14.5	TB14.4
TB14.6	TB14.2
TB14.6	TB14.7
TB14.6	TB10.1
TB14.6	TB10.3
TB14.7	TB14.6
TB14.7	TB14.8
TB14.7	L23.1
TB14.7	L21.1
TB14.8	TB9.1
TB14.8	TB14.7

From	To
Conn3.1	TB14.2
Conn3.2	TB14.1
La15.1	La15.3
La15.2	La16.2
La15.3	La15.1
La15.4	L15.1
La16.1	La16.3
La16.2	La15.2
La16.2	La17.2
La16.3	La16.1
La16.4	L16.1
La17.1	La17.3
La17.2	TB14.1
La17.2	La16.2
La17.3	La17.1
La17.4	L17.1
La18.1	L18.1
La18.2	La18.4
La18.3	TB14.4
La18.3	La19.3
La18.4	La18.2
La19.1	L19.1
La19.2	La19.4
La19.3	La18.3
La19.4	La19.2
La20.1	L20.1
La20.2	La20.4
La20.3	La21.3
La20.4	La20.2
La21.1	L21.2
La21.2	La21.4
La21.3	La20.3
La21.3	La22.3
La21.4	La21.2
La22.1	L22.2
La22.2	La22.4
La22.3	TB14.4
La22.3	La21.3
La22.4	La22.2
La23.1	La23.3
La23.2	TB14.1
La23.2	La24.2
La23.3	La23.1
La23.4	L23.2

From	To
La24.1	La24.3
La24.2	La23.2
La24.2	La25.2
La24.3	La24.1
La24.4	L24.2
La25.1	La25.3
La25.2	La24.2
La25.3	La25.1
La25.4	L25.2
L15.1	La15.4
L15.2	L16.2
L16.1	La16.4
L16.2	L17.2
L16.2	L15.2
L17.1	La17.4
L17.2	TB14.2
L17.2	L16.2
L18.1	La18.1
L18.2	L19.2
L19.1	La19.1
L19.2	L18.2
L19.2	L20.2
L20.1	La20.1
L20.2	TB14.2
L20.2	L19.2
L21.1	TB14.7
L21.1	L22.1
L21.2	La21.1
L22.1	L21.1
L22.2	La22.1
L23.1	TB14.7
L23.1	L24.1
L23.2	La23.4
L24.1	L23.1
L24.1	L25.1
L24.2	La24.4
L25.1	L24.1
L25.2	La25.4
C4.1	TB10.2
C4.2	TB14.3
C5.1	TB10.4
C5.2	TB14.3