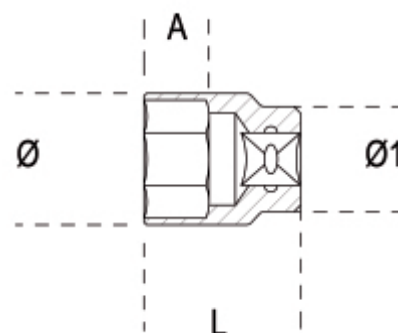




UNI/ISO 2725



| art. | Ø mm | Ø mm | L mm | Ø1 mm | A mm | g | |
|-----------|------|------|------|-------|------|------|-------|
| 009200008 | 920A | 8 | 12,4 | 38 | 21,7 | 5,0 | 48 |
| 009200009 | 920A | 9 | 13,5 | 38 | 21,7 | 5,0 | 48 |
| 009200010 | 920A | 10 | 14,9 | 38 | 21,7 | 6,0 | 49 |
| 009200011 | 920A | 11 | 16,1 | 38 | 21,7 | 7,0 | 49,2 |
| 009200012 | 920A | 12 | 17,5 | 38 | 21,7 | 8,0 | 54 |
| 009200013 | 920A | 13 | 18,7 | 38 | 21,7 | 8,0 | 55 |
| 009200014 | 920A | 14 | 20,1 | 38 | 21,7 | 10,0 | 57 |
| 009200015 | 920A | 15 | 21,5 | 38 | 22,5 | 10,0 | 62 |
| 009200016 | 920A | 16 | 22,7 | 38 | 23,7 | 10,0 | 71,2 |
| 009200017 | 920A | 17 | 24,1 | 38 | 23,1 | 10,0 | 73 |
| 009200018 | 920A | 18 | 25,3 | 39 | 24,0 | 12,0 | 78 |
| 009200019 | 920A | 19 | 26,6 | 39 | 24,0 | 12,0 | 83,8 |
| 009200020 | 920A | 20 | 27,8 | 40 | 25,0 | 12,0 | 98 |
| 009200021 | 920A | 21 | 28,8 | 40 | 25,0 | 14,0 | 98,8 |
| 009200022 | 920A | 22 | 29,9 | 41 | 26,0 | 14,0 | 110 |
| 009200023 | 920A | 23 | 30,8 | 42 | 26,0 | 14,0 | 113,7 |
| 009200024 | 920A | 24 | 32,2 | 43 | 27,0 | 16,0 | 144 |
| 009200025 | 920A | 25 | 33,2 | 44 | 27,0 | 16,0 | 154 |
| 009200026 | 920A | 26 | 34,7 | 45 | 28,0 | 16,0 | 167 |
| 009200027 | 920A | 27 | 36,2 | 46 | 29,0 | 18,0 | 174 |
| 009200028 | 920A | 28 | 37,2 | 47 | 30,0 | 18,0 | 209 |
| 009200029 | 920A | 29 | 38,6 | 48 | 31,0 | 18,0 | 208 |
| 009200030 | 920A | 30 | 40,2 | 48 | 32,0 | 20,0 | 240 |
| 009200032 | 920A | 32 | 42,3 | 49 | 34,0 | 22,0 | 265 |