

DH-IPC-K200/ 200A /200W

2Megapixel Full HD Cube Network Camera



Features

- 1/3" 2Megapixel progressive scan CMOS
- H.264 & MJPEG dual-stream encoding
- Max 25/30fps@1080P(1920×1080)
- DWDR, Day/Night, 3DNR, Auto iris, AWB, AGC, BLC
- Multiple network monitoring: Web viewer, CMS(DSS/PSS) & DMSS
- 3.6mm fixed lens
- White LEDs length 10m
- PIR sensor range 6m
- Micro SD memory (K200A only), PoE (K200/200A), Wi-Fi (K200W only)



DH-IPC-K200/ 200A /200W

Technical Specifications

Model	DH-IPC-K200		DH-IPC-K200A		DH-IPC-K200W	
Camera						
Image Sensor	1/3" 2Megapixel progressive scan CMOS					
Effective Pixels	1920(H)x1080(V)					
Scanning System	Progressive					
Electronic Shutter Speed	Auto/Manual, 1/3(4)~1/100000					
Min. Illumination	0.05lux/F1.8(color)					
S/N Ratio	More than 50dB					
Video Output	N/A					
Camera Features						
Max. LEDs Length	10m					
Day/Night	Auto(Electronic) / Color / B/W					
Backlight Compensation	BLC / HLC / DWDR					
White Balance	Auto/Manual					
Gain Control	Auto/Manual					
Noise Reduction	3D					
Privacy Masking	Up to 4 areas					
Lens						
Focal Length	3.6mm					
Max Aperture	F1.8					
Focus Control	Manual					
Angle of View	86.5°					
Lens Type	Fixed Lens					
Mount Type	Board-in Type					
Video						
Compression	H.264/MJPEG					
Resolution	1080P(1920x1080)/720P(1280x720)/D1/CIF					
Frame Rate	Main Stream	1080P/720P(1~25/30fps)				
	Sub Stream	D1/CIF(1 ~ 25/30fps)				
Bit Rate	H.264: 16K ~ 8192Kbps					
Audio						
Compression	N/A		G.711a / G.711u / PCM			
Interface	N/A		Built-in Mic, Built-in speaker			
Network						
Ethernet	RJ-45 (10/100Base-T)					
Wi-Fi	N/A				Wi-Fi(802.11b/g)	
Protocol	IPv4/IPv6, HTTP, SSL, TCP/IP, UDP, UPnP, ICMP, IGMP, SNMP, RTSP, RTP, SMTP, NTP, DHCP, DNS, PPPOE, DDNS, FTP, IP Filter, QoS, Bonjour					
ONVIF	ONVIF Profile S					
Max. User Access	10 users					
Smart Phone	iPhone, iPad, Android, Windows Phone					



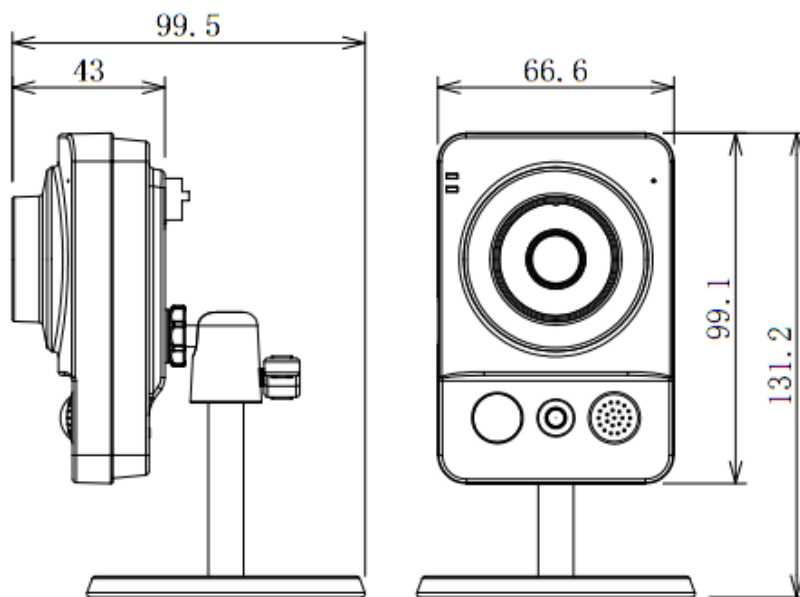
DH-IPC-K200/ 200A /200W

Auxiliary Interface			
Memory Slot	N/A	Micro SD, Max 64GB	N/A
RS485	N/A		
Alarm	N/A	1/1 channel In/Out	
PIR Sensor Range	Up to 6m		
General			
Power Supply	DC12V,PoE(802.3af)		DC12V
Power Consumption	<4W	<4.5W	<5W
Working Environment	-20°C~+60°C, Less than 95%RH		-20°C~+50°C, Less than 95%RH
Ingress Protection	N/A		
Vandal Resistance	N/A		
Dimensions(W×D×H)	66.6mm×99.5mm×131.2mm		
Weight	0.35Kg (0.4kg with bracket)		



DH-IPC-K200/ 200A /200W

Dimensions (mm)



WWW.ECCAM.NL