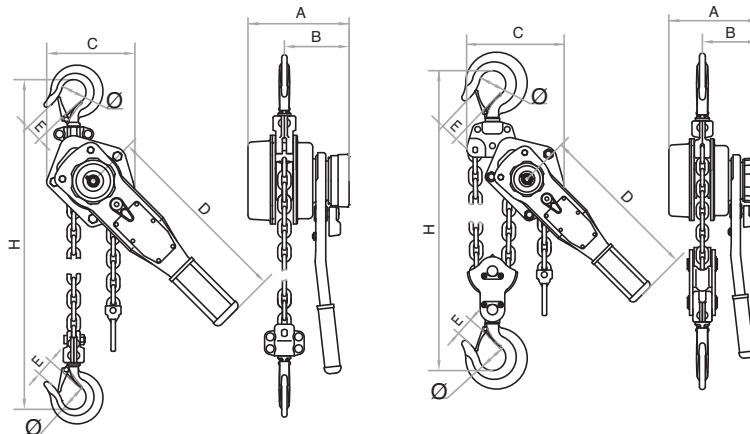


Characteristics:

- compact, light-weight hoist,
- surface finish : blue paint,
- lever handle with black rubber grip,
- hoist complies with type tests of standard EN13157 :12/2004,
- lifting chain with type T covering per standard EN818-7 :04/2002,
- 360° rotating hooks with safety latches, removable, and marked with hoist WLL,
- standard lifting travel distance: 1.5 m. Other travel distances possible : see table below,
- hoist designed and built to withstand dynamic loads of 1.1 x WLL and static loads of 1.5 x WLL,
- hoist complies with machinery directive 2006/42/CE,
- hoist equipped with a low limit stop in the form of a handle for height adjustment of lifting hook with no load.

Optionally, the bravo™ hoists with WLL of 0.5 t. / 0.75 t. / 1 t. / 1.5 t. / 3 t. and 6 t. can be equipped with a dynamic load limiter adjusted between 1.2 and 1.4 x WLL. The load limiter mechanism is integrated in the lever and is formed by friction disks and a clamping nut by which the limiter is adjusted. This adjustment is performed by TRACTEL®.

Technical specifications :



WLL* (t)	0.25	0.5	0.75	1	1.5	3	6
Standard lifting height** (m)	1.5						
Minimum distance between hook H (mm)	233	305	310	320	360	485	620
Maximum force on handle at WLL* (N)	260	340	250	330	420	420	450
Travel per complete turn of the lever (mm)	72	90	29.3		37.3	16.8	8.4
Number of strands	1						2
Chain dimensions (type T)	4 x 12	5 x 15	6 x 18		7 x 21	10 x 30	
Dimensions (mm)	A	91	110	147	147	178	203
	B	70	80	87	87	105	110
	C	71	122	126	126	146	193
	D	157	228	268	268	368	348
	E	21	23	26	27	31	40
	Ø	28	35	37	40	45	55
Net weight (kg)	2	5	7	7.3	11.3	21	29.8
Additional weight by lifting m (kg)	0.34	0.54	0.8	0.8	1.09	2.23	4.46

*: Working Load Limit.

**: other travel distances possible for 0.5 t. to 6 t. models:
0.25 t. model:

3 m; 4.5 m; 6 m
6 m